



KOTHARI INTERNATIONAL SCHOOL, PUNE

SUMMER HOLIDAY ASSIGNMENT

Session 2024-25

Grade: VII

GENERAL GUIDELINES:

1. **Do not copy & paste from the Internet.** Questions will be asked verbally on the content of the assignments given.
2. **Submission of Holidays HW: 10th June 2024.** Marks will be deducted if not submitted by the due date.
3. **The Holidays Homework can be downloaded from School's website**
4. **For Assignment related queries, do contact the subject teacher via email given underneath every subject assignment.**

ENGLISH

Task 1

Based on the biography in the first lesson, write a biography of your mother or father highlighting the important milestones. Paste relevant pictures to cover the timeline.

Specific Instructions:

1. Timeline should be chronological.
2. Significant people in your parent's life should be mentioned.
3. Life lessons or values you imbibed should be clearly described.
4. Work should be original after interviewing your parents.

Task 2

2. Read the prescribed book 'Where the Red Fern Grows'. Write a summary and your reflection on the story- how you liked the story, which character you could relate with the most and which part of the story impacted you the most in 200 words.

Task 3

3. Make a poster on an inspirational poem. Write a few lines about the poet. Visualize and illustrate what the poem represents. Add two more stanzas of your own.

Any doubt, please write to : ramita.channa@kispune.com / ekta.batra@kispune.com

MATHEMATICS

Task 1:

Prepare a 3×3 puzzle whose side will be equal by adding all the digits.

Task 2:

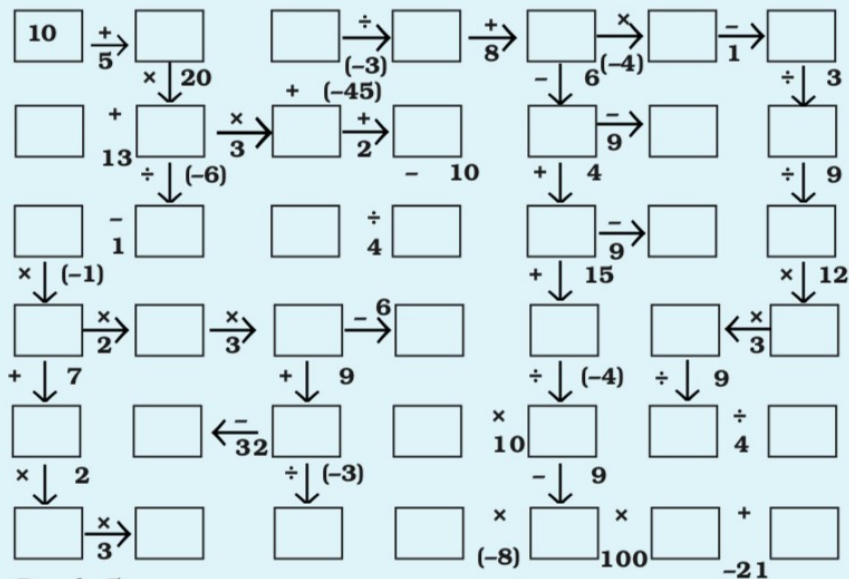
Collect the information of 3 Indian mathematicians and write 5 points about each one of them.

Task 3:

Write one rule each of addition, subtraction, multiplication and division of vedic math with 5 examples each.

Puzzle 4

Complete the number grids by following the direction of arrows.



Task 4:

Task 5:

Fill in the blank space of the following magic square so that the sum of the numbers in each row, each column and each of the diagonals is – 6.

-1		
3	-2	
	5	

Rubrics:

Accuracy 2

Presentation 2

Timely submission 1

Any doubt, please write to : vrushali.namjoshi@kispune.com

rupali.pandya@kispune.com

HINDI

क) भारत के किन्हीं पाँच उच्च पर्वत श्रृंखलाओं के नाम लिखिए।

ख) उनमें से किसी एक पर्वत श्रृंखला की ऊँचाई, स्थान एवं सर्वप्रथम चढ़ने वाले प्रथम महिला एवं पुरुष का सचित्र वर्णन कीजिए।

निर्देश :-

१. आकर्षकता का ध्यान रखे।
२. उत्तर की सटीकता पर ध्यान दे।
३. पर्वत श्रृंखलाओं का सचित्र वर्णन करे।

Rubrics:

मूल्यांकन के मापदंड -

१. विषय से संबंधित जानकारी
२. सभी बिंदुओं का समावेश आवश्यक
३. प्रस्तुतिकरण

Any doubt, please write to: puspa.sah@kispune.com / neha.puri@kispune.com

/ purva.sawant@kispune.com

SCIENCE

FUN 'N' LEARN ACTIVITY

1. Make a scientific toy based on any one of the following concepts - i.) Electricity
- ii.) Magnetism
- iii.) Light

VALUE BASED ASSIGNMENT

Research on the life history and contribution of two Indian scientists in the development of science in India and make a report or write an article about the same and also mention the values you learn from their life and would like to incorporate in your personality.

(to be done on Coloured A4 size sheet)

Rubrics:

1. Presentation 2
2. Concept clarity 2
3. Timely Submission 1

Any doubt, please write to : rupali.jindal@kispune.com / simra.ali@kispune.com / radhika.singh@kispune.com

SOCIAL STUDIES

1. Geography

Prepare a **Political Map** of India with names of all the States and their Capitals. Shade and label the water bodies around the Indian subcontinent. (A3 SHEET)

2. History

Trace the changes that have taken place in your family history by making a timeline, interviewing parents, grandparents, and other relatives. Furthermore, ask them about how simple and different life was in the absence of technology, how communication and transport made way even in their times, reading, gazing at the stars, walk to the parks or riverside etc. captured the beauty of nature. You could describe this in detail through the lens of your grandparents.

Make a T chart of

Life through grandparents lens : Then and Now

You can also paste pictures and make your work innovative and creative.

Specific Instructions:

All states and UTs should be clearly mentioned.
Water bodies and islands should be labeled properly.

Any doubt, please write to : varsha.chaudhari@kispune.com / ekta.batra@kispune.com

FRENCH

Make a project on:

1. Any 4 cheeses available in France. Write down the difference between those.
2. French regional cuisine

Specific Instructions:

Neatly present on A4 sheets in a separate folder.

Rubrics:

Relevant details

Presentation

Timely Submission

Any doubt, please write to : ruchita.sharma@kispune.com

MARATHI

समानार्थी शब्द

दिलेल्या शब्दांचे समानार्थी शब्द त्यापासून वाक्य बनवा. तुम्ही चित्र काढा किंवा लावू शकता.

- | | |
|-----------|-----------|
| १. आई | २. चेहरा |
| ३. पांढरा | ४. विद्या |
| ५. सुमन | ६. जीवन |
| ७. घर | ८. भाऊ |
| ९. मयूर | १० वसन |

सामग्री:

१. पेपर
२. कलरपेपर
३. चित्र

Any doubt, please write to : geetanjali.nagalkar@kispune.com

SANSKRIT

Write each table 5 times from parishistam and memories in your Sanskrit notebook.

परिशिष्टम् - शब्दरूपाणि धातुरूपाणि च लेखनं तथा कण्ठस्थिकरणम्

Page no.87 to 108

मूल्यांकन - (Rubrics)

व्याकरण ज्ञान
कण्ठस्थिकरणम्
लेखन कौशल्यम्
प्रस्तुतिकरणम्

Any doubt, please write to : ashvini.kulkarni@kispune.com

ICT

Make an HTML page with a list of subjects you have and for each subject make a list of the first 3 chapters you have. It should look like below:

- Information Technology
 - Number system
 - Computer systems
 - List and links in HTML
- English
- Math

Take a print out of the HTML file and the output in two different pages and submit.

Rubrics:

- HTML structure
- List made
- Beautification done
- Font used

Any doubt, please write to : sahana.karunakar@kispune.com

-----X-----X-----X-----X-----X-----X-----X-----X-----